

810 O/A MODULAR GUARD BOOTH

(8' x 10' ACTUAL SIZE)

OHIO DESIGN CODES

2007 OHIO BUILDING CODE
 2007 OHIO MECHANICAL CODE
 2007 OHIO PLUMBING CODE
 2005 NATIONAL ELECTRICAL CODE

DESIGN LIVE LOADS

FLOOR:..... 50 PSF LIVE LOAD
 10 PSF DEAD LOAD

ROOF:..... 40 PSF LIVE LOAD
 10 PSF DEAD LOAD

CONSTRUCTION TYPE:..... 5B
 OCCUPANCY/USE GROUP: B
 BUILDING AREA:..... 80 SQ FT.
 MINIMUM BUILDING
 SET BACK:..... GREATER THAN 10 FEET TO A
 COMMON OR ASSUMED PROPERTY LINE

SEISMIC ZONE:..... GROUP I, CATEGORY C
 MAXIMUM WIND LOAD:..... 90 MPH, EXPOSURE C
 OCCUPANT LOAD:..... 1

DRAWING INDEX

DRAWING NUMBER	DESCRIPTION
#1	SPECIFICATIONS
#2	ELEVATIONS
#3	FLOOR / ELECTRICAL PLAN
#4	CROSS SECTION / BLOCKING POINTS PLAN

ADEQUATE HANDICAPPED REST ROOM FACILITIES TO HANDLE THE ADDITIONAL OCCUPANT LOAD CREATED BY THE ADDITION OF THIS BUILDING TO A SITE SHALL BE PROVIDED IN AN ADJACENT BUILDING ON THE SAME PROPERTY. THE LOCAL OFFICIAL HAVING JURISDICTION SHALL VERIFY THE EXISTING FACILITIES.

ACCESSIBILITY EXCEPTIONS:
 PER SECTION 1103.2.7 RAISED AREAS. RAISED AREAS USED PRIMARILY FOR PURPOSES OF SECURITY, LIFE SAFETY OR FIRE SAFETY INCLUDING, BUT NOT LIMITED TO, OBSERVATION GALLERIES, PRISON GUARD TOWERS, FIRE TOWERS OR LIFEGUARD STANDS ARE NOT REQUIRED TO BE ACCESSIBLE OR TO BE SERVED BY AN ACCESSIBLE ROUTE.

PER SECTION 1103.2.10 SINGLE-OCCUPANT STRUCTURES. SINGLE-OCCUPANT STRUCTURES ACCESSED ONLY BY PASSAGEWAYS BELOW GRADE OR ELEVATED ABOVE GRADE INCLUDING, BUT NOT LIMITED TO, TOLL BOOTHS THAT ARE ACCESSED ONLY BY UNDERGROUND TUNNELS, ARE NOT REQUIRED TO BE ACCESSIBLE.

TITLE: COVER SHEET
 MODEL: 810 O/A GUARD BOOTH
 DRAWN BY: R.M.
 REV:
 TWIN MODULAR SERVICES, INC.
 1001 LOWER LANDING RD, SUITE 607, BLACKWOOD, NJ 08012
 DATE: 3/17/09
 JOB NO: 2007-373
 DRAWING NO: CVR

810 O/A MODULAR GUARD BOOTH

(8' x 10' ACTUAL SIZE)

OHIO DESIGN CODES

2007 OHIO BUILDING CODE
 2007 OHIO MECHANICAL CODE
 2007 OHIO PLUMBING CODE
 2005 NATIONAL ELECTRICAL CODE

DESIGN LIVE LOADS

FLOOR: 50 PSF LIVE LOAD
 10 PSF DEAD LOAD

ROOF: 40 PSF LIVE LOAD
 10 PSF DEAD LOAD

CONSTRUCTION TYPE: 5B
 OCCUPANCY/USE GROUP: B
 BUILDING AREA: 80 SQ FT.
 MINIMUM BUILDING
 SET BACK: GREATER THAN 10 FEET TO A
 COMMON OR ASSUMED PROPERTY LINE

SEISMIC ZONE: GROUP I, CATEGORY C
 MAXIMUM WIND LOAD: 90 MPH, EXPOSURE C
 OCCUPANT LOAD: 1

DRAWING INDEX

DRAWING NUMBER	DESCRIPTION
#1	SPECIFICATIONS
#2	ELEVATIONS
#3	FLOOR / ELECTRICAL PLAN & PLUMBING SCHEMATICS
#4	CROSS SECTION / BLOCKING POINTS PLAN

ADEQUATE HANDICAPPED REST ROOM FACILITIES TO HANDLE THE ADDITIONAL OCCUPANT LOAD CREATED BY THE ADDITION OF THIS BUILDING TO A SITE SHALL BE PROVIDED IN AN ADJACENT BUILDING ON THE SAME PROPERTY. THE LOCAL OFFICIAL HAVING JURISDICTION SHALL VERIFY THE EXISTING FACILITIES.

ACCESSIBILITY EXCEPTIONS:

PER SECTION 1103.2.7 RAISED AREAS. RAISED AREAS USED PRIMARILY FOR PURPOSES OF SECURITY, LIFE SAFETY OR FIRE SAFETY INCLUDING, BUT NOT LIMITED TO, OBSERVATION GALLERIES, PRISON GUARD TOWERS, FIRE TOWERS OR LIFEGUARD STANDS ARE NOT REQUIRED TO BE ACCESSIBLE OR TO BE SERVED BY AN ACCESSIBLE ROUTE.

PER SECTION 1103.2.10 SINGLE-OCCUPANT STRUCTURES. SINGLE-OCCUPANT STRUCTURES ACCESSED ONLY BY PASSAGeways BELOW GRADE OR ELEVATED ABOVE GRADE INCLUDING, BUT NOT LIMITED TO, TOLL BOOTHS THAT ARE ACCESSED ONLY BY UNDERGROUND TUNNELS, ARE NOT REQUIRED TO BE ACCESSIBLE.

TITLE: COVER SHEET	DRAWN BY: R.M.	DATE: 3/17/09	JOB NO: 2007-373
MODEL: 810 O/A GUARD BOOTH	REV:	SCALE: 1/2" = 1'-0"	DRAWING NO: CVR

TWIN MODULAR SERVICES, INC.
 1001 LOWER LANDING RD, SUITE 607, BLACKWOOD, NJ 08012

CHASSIS

TYPE: PERIMETER
MAIN BEAM: 6" JR. I-BEAM (4.4 lbs PER FT.)
CROSS MEMBERS: 6" JR. I-BEAM @ 24" O.C.
PAINT: ASPHALT BASED
OPTIONAL: 6" "C" CHANNEL 8.5 lbs PER FT.

FLOOR

INSULATION: NONE
DECKING: 3/4" PLYWOOD, 24 O.C. SECURED DIRECTLY TO STEEL FRAME
OPTIONAL: 1/4" STEEL PLATE FLOOR W/ NON-SKIP EPOXY PAINT
COVERING: 1/8"x12"x12" VINYL TILE
TRIM: 4" VINYL COVE BASE
MOISTURE BARRIER: TYVEK OR EQUAL

EXTERIOR WALLS

STUDS: 2"x4" STUD GRADE SPF @ 16" O.C.
BOTTOM PLATE: SINGLE 2"x4" #3 SPF
TOP PLATE SINGLE 2"x4" #3 SPF
WALL HEIGHT: 8'-3"
FINISHED CEILING HT: 7'-8" A.F.F.
INSULATION: R-13 FIBERGLASS KRAFT-BACKED BATTS
INT. WALL COVERING: 1/4" VINYL COVERED PANEL (CLASS III)
INT. WALL COVERING OPTION: 1/2" VINYL COVERED GYP. (CLASS I)

ROOF

TYPE: RAFTER, 2x6 WOOD @ 16" O.C., 2% ROOF SLOPE
OPTIONAL: 6" OVERHANG ALL SIDES
CEILING: 2'x4' T-GRID DROP CEILING @ 7'-8" A.F.F.
INSULATION: R-13 KRAFT FACED FIBERGLASS BATTS
OPTION: 6" OVERHANG

ELECTRICAL

MAIN DISTRIBUTION PANEL: EXTERIOR (WEATHERPROOF) 100 AMP 120/240 VOLT SINGLE PHASE, 3 WIRE, 60 HZ. WITH GROUND
RACEWAY: MINIMUM #14/2 W/ GROUND 90 DEG. C. TYPE MC, COPPER
INTERIOR LIGHTS: 2'x4' TWO TUBE LAY-IN FLUORESCENT TROFFER PER PRINT
EXTERIOR LIGHTS: 150 WATT QUARTZ HALOGEN SECURITY LIGHT (WEATHERPROOF)
SWITCHES: 120 V. 15 AMP SINGLE POLE PER PRINT
RECEPTACLES: 120 V. 15 AMP DUPLEX RECEPETS PER PRINT

H.V.A.C.

HEATING: 220V, DEDICATED CIRCUIT, 20 AMP, 8' ELEC. BASEBOARD HEATER,
AIR CONDITIONING: 110V, DEDICATED CIRCUIT, 8000 BTU WALL MOUNT,
OPTION: 11,600 HEAT / AIR CONDITIONER COMBINATION UNIT, WALL MOUNTED

EXTERIOR WINDOWS & DOORS

DOORS: 36"x80" ALUM. DOOR, ALUM. FRAME, FOAM INSULATED W/ 14"x14" S.G., LEVER PASSAGE HARDWARE
OPTION: 36"x80" STEEL DOOR W/ 22"x30" WINDOW (S.G.), CLOSER

WINDOWS: (5) 36"x39" HORIZONTAL SLIDER, ALUM. MILL FRAME, SINGLE GLAZE

(1) 36"x39" CLEAR TEMPERED GLASS - HORIZONTAL SLIDER, ALUM. MILL FRAME

OPTION: 36"x39" HORIZONTAL SLIDER, VINYL THERMAL INSULATED WINDOWS

OPTION: (1) 24"x36" CLEAR TEMPERED GLASS TICKET WINDOW WITH STAINLESS STEEL SHELF, SPEAK-THRU & 1/2 ROUND TICKET SERVICE

OPTION: 36"x39" PICTURE WINDOW - NON OPERABLE, THERMAL PANE DIG GLAZING W/ VINYL FRAME OR SINGLE GLAZING, MILL FINISH FRAME

EXTERIOR FINISHES

SIDING: .019 ALUMINUM
TRIM: .019 ALUMINUM
WALL SHEATHING: 7/16" OSB OR CDX PLYWOOD, 16/0 SPAN INDEX RATING
ROOF SHEATHING: 1/2" CDX PLYWOOD, 16/0 SPAN RATING
ROOF: .45 EPDM RUBBER ROOFING

FURNITURE

2'-0" x 7'-4" COUNTER TOP - WHITE MICA

TITLE: SPECIFICATIONS	DRAWN BY: R.M.	DATE: 3/17/09	JOB NO: 2007-373
MODEL: 810 O/A GUARD BOOTH	REV:	SCALE: 1/2" = 1'-0"	DRAWING NO: 1

TWIN MODULAR SERVICES, INC.

1001 LOWER LANDING RD, SUITE 607, BLACKWOOD, NJ 08012

CHASSIS

TYPE: PERIMETER
MAIN BEAM: 6" JR. I-BEAM (4.4 lbs PER FT.)
CROSS MEMBERS: 6" JR. I-BEAM @ 24" O.C.
PAINT: ASPHALT BASED
OPTIONAL: 6" "C" CHANNEL 8.5 lbs PER FT.

FLOOR

INSULATION: NONE
DECKING: 3/4" PLYWOOD, 24 O.C. SECURED DIRECTLY TO STEEL FRAME
OPTIONAL: 1/4" STEEL PLATE FLOOR W/ NON-SKIP EPOXY PAINT
COVERING: 1/8"x12"x12" VINYL TILE
TRIM: 4" VINYL COVE BASE
MOISTURE BARRIER: TYVEK OR EQUAL

EXTERIOR WALLS

STUDS: 2"x4" STUD GRADE SPF @ 16" O.C.
BOTTOM PLATE: SINGLE 2"x4" #3 SPF
TOP PLATE SINGLE 2"x4" #3 SPF
WALL HEIGHT: 8'-3"
FINISHED CEILING HT: 7'-8" A.F.F.
INSULATION: R-13 FIBERGLASS KRAFT-BACKED BATTS
INT. WALL COVERING: 1/4" VINYL COVERED PANEL (CLASS III)
INT. WALL COVERING OPTION: 1/2" VINYL COVERED GYP. (CLASS I)

INTERIOR WALLS

STUDS: 2"x4" STUD GRADE SPF @ 16" O.C.
BOTTOM PLATE: SINGLE 2"x4" #3 SPF
TOP PLATE SINGLE 2"x4" #3 SPF
FINISHED CEILING HT: 7'-8" A.F.F.
INT. WALL COVERING: 1/4" VINYL COVERED PANEL (CLASS III)
DOORS: 24"x80" HOLLOW CORE WOOD DOOR, STD. LEVER PRIVACY HARDWARE

ROOF

TYPE: RAFTER, 2x6 WOOD @ 16" O.C., 2% ROOF SLOPE
OPTIONAL: 6" OVERHANG ALL SIDES
CEILING: 2'x4' T-GRID DROP CEILING @ 7'-8" A.F.F.
INSULATION: R-13 KRAFT FACED FIBERGLASS BATTS
OPTION: 6" OVERHANG

ELECTRICAL

MAIN DISTRIBUTION PANEL: EXTERIOR (WEATHERPROOF) 100 AMP 120/240 VOLT SINGLE PHASE, 3 WIRE, 60 HZ. WITH GROUND
RACEWAY: MINIMUM #14/2 W/ GROUND 90 DEG. C. TYPE MC, COPPER
INTERIOR LIGHTS: 2'x4' TWO TUBE LAY-IN FLUORESCENT TROFFER PER PRINT
2'x2' TWO TUBE LAY-IN FLUORESCENT TROFFER PER PRINT
EXTERIOR LIGHTS: 150 WATT QUARTZ HALOGEN SECURITY LIGHT (WEATHERPROOF)
SWITCHES: 120 V. 15 AMP SINGLE POLE PER PRINT
RECEPTACLES: 120 V. 15 AMP DUPLEX RECEPTS PER PRINT
120 V. 15 AMP GFI DUPLEX RECEPTS PER PRINT
120 V. 15 AMP GFI, WEATHER PROOF, DUPLEX RECEPTS PER PRINT
EXHAUST FAN: 75 CFM EXHAUST FAN

PLUMBING

SUPPLY: TYPE "L" COPPER, CONCEALED W/ SHUTOFF'S @ EACH FIXTURE
DWV: SCHEDULE 40 PVC CONCEALED
WATER CLOSET: STANDARD TANK TYPE W/ ELONGATED BOWL AND OPEN FRONT SEAT
LAVATORY: STANDARD WALL HUNG
WATER HEATER: EEMAX OR CHRONOMITE INSTANTANEOUS, ELECTRIC

H.V.A.C.

HEATING: 220V, DEDICATED CIRCUIT, 20 AMP, 8' ELEC. BASEBOARD HEATER,
AIR CONDITIONING: 110V, DEDICATED CIRCUIT, 8000 BTU WALL MOUNT,
OPTION: 11,600 HEAT / AIR CONDITIONER COMBINATION UNIT, WALL MOUNTED

EXTERIOR WINDOWS & DOORS

DOORS: 36"x80" ALUM. DOOR, ALUM. FRAME, FOAM INSULATED W/ 14"x14" S.G., LEVER PASSAGE HARDWARE
OPTION: 36"x80" STEEL DOOR W/ 22"x30" WINDOW (S.G.), CLOSER

WINDOWS: (5) 36"x39" HORIZONTAL SLIDER, ALUM. MILL FRAME, SINGLE GLAZE

(1) 36"x39" CLEAR TEMPERED GLASS - HORIZONTAL SLIDER, ALUM. MILL FRAME

OPTION: 36"x39" HORIZONTAL SLIDER, VINYL THERMAL INSULATED WINDOWS

OPTION: (1) 24"x36" CLEAR TEMPERED GLASS TICKET WINDOW WITH STAINLESS STEEL SHELF, SPEAK-THRU & 1/2 ROUND TICKET SERVICE

OPTION: 36"x39" PICTURE WINDOW - NON OPERABLE, THERMAL PANE DIG GLAZING W/ VINYL FRAME OR SINGLE GLAZING, MILL FINISH FRAME

EXTERIOR FINISHES

SIDING: .019 ALUMINUM
TRIM: .019 ALUMINUM
WALL SHEATHING: 7/16" OSB OR CDX PLYWOOD, 16/0 SPAN INDEX RATING
ROOF SHEATHING: 1/2" CDX PLYWOOD, 16/0 SPAN RATING
ROOF: .45 EPDM RUBBER ROOFING

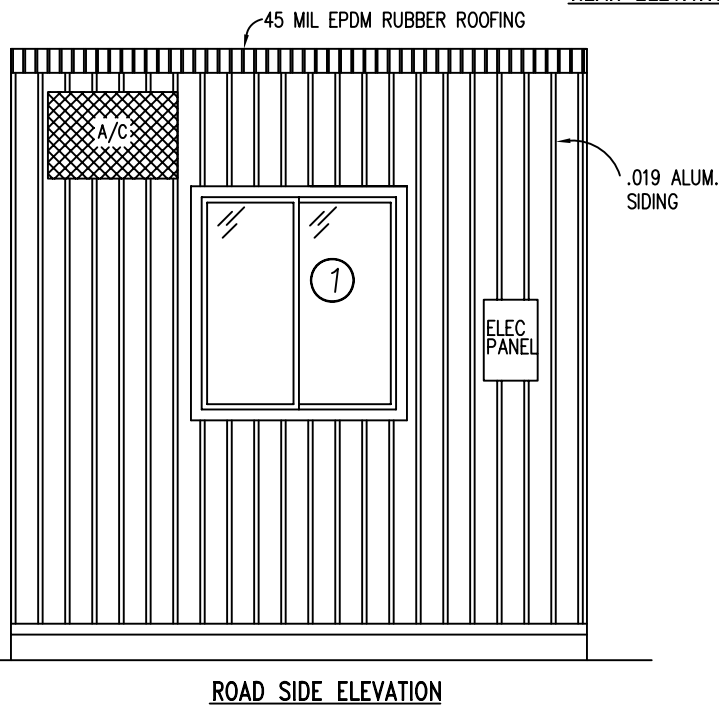
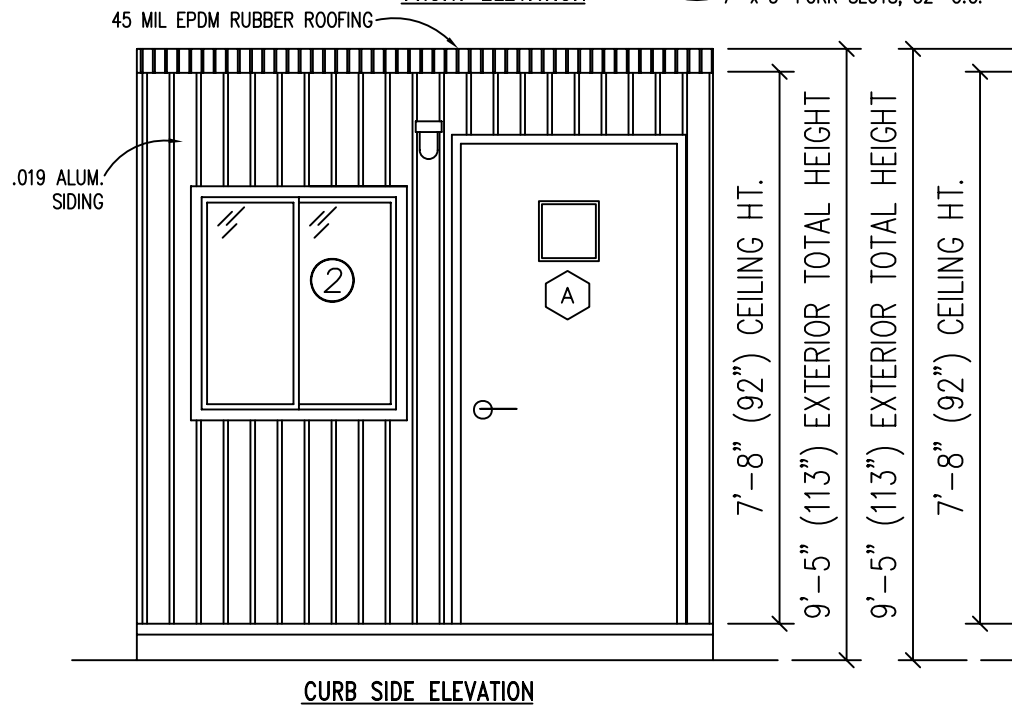
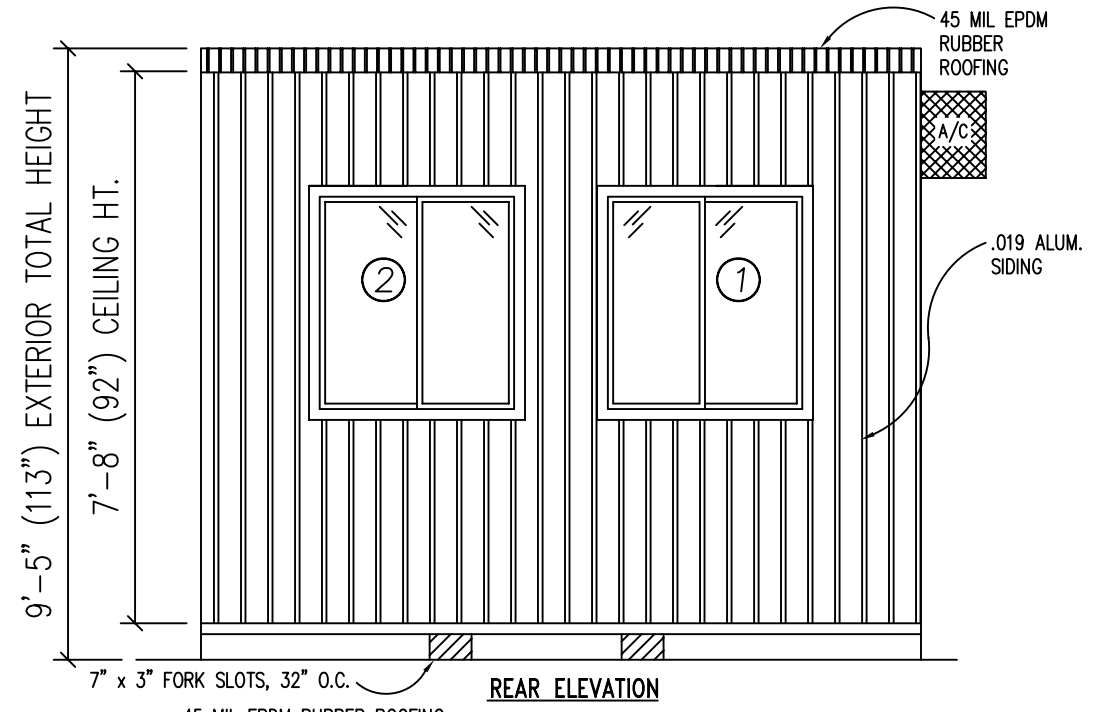
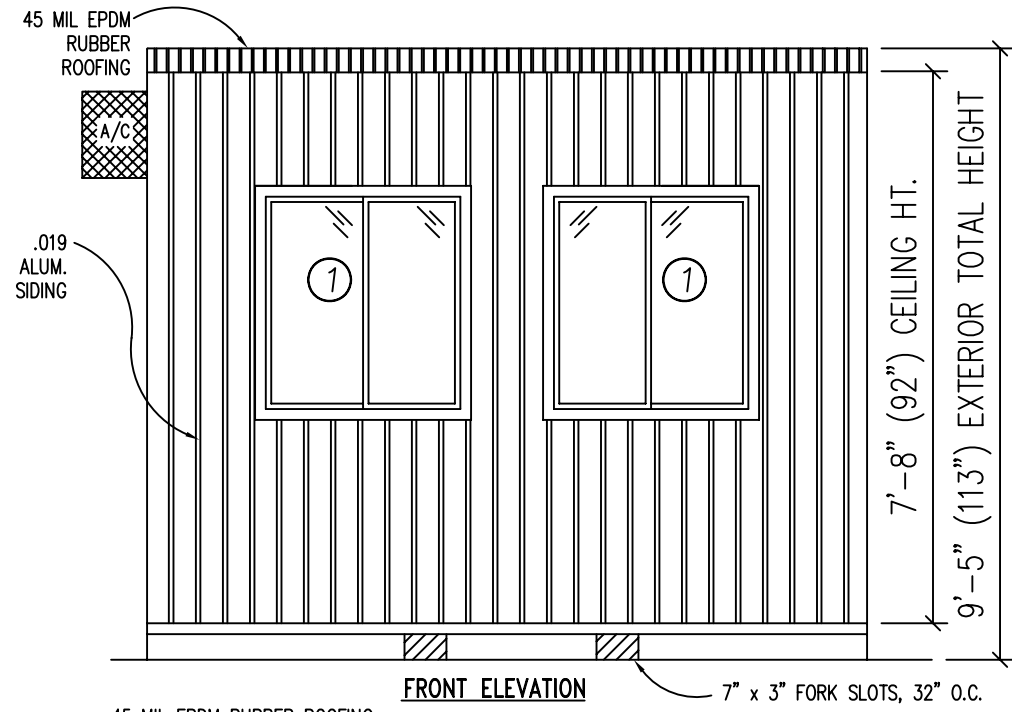
FURNITURE

2'-0" x 7'-4" COUNTER TOP - WHITE MICA

TITLE: SPECIFICATIONS	DRAWN BY: R.M.	DATE: 3/17/09	JOB NO: 2007-373
MODEL: 810 O/A GUARD BOOTH	REV:	SCALE: 1/2" = 1'-0"	DRAWING NO: 1

TWIN MODULAR SERVICES, INC.

1001 LOWER LANDING RD, SUITE 607, BLACKWOOD, NJ 08012

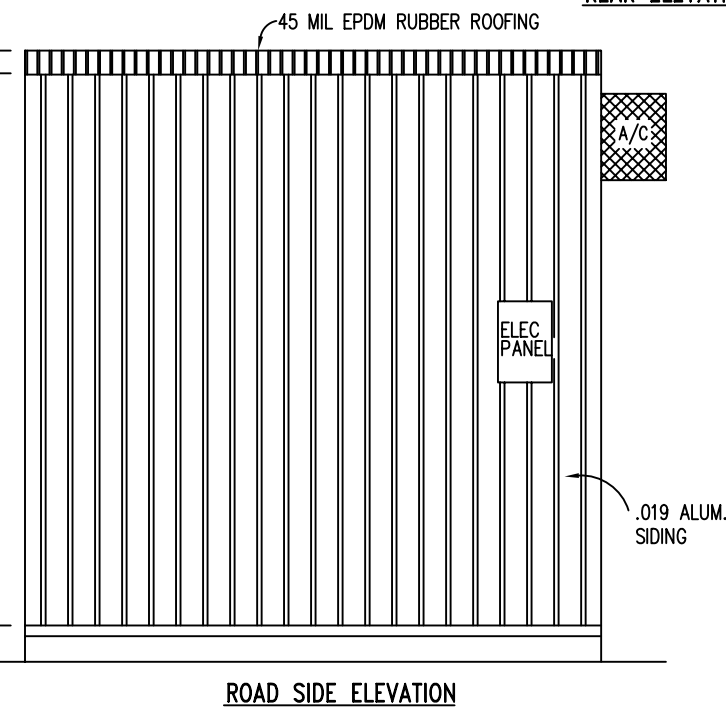
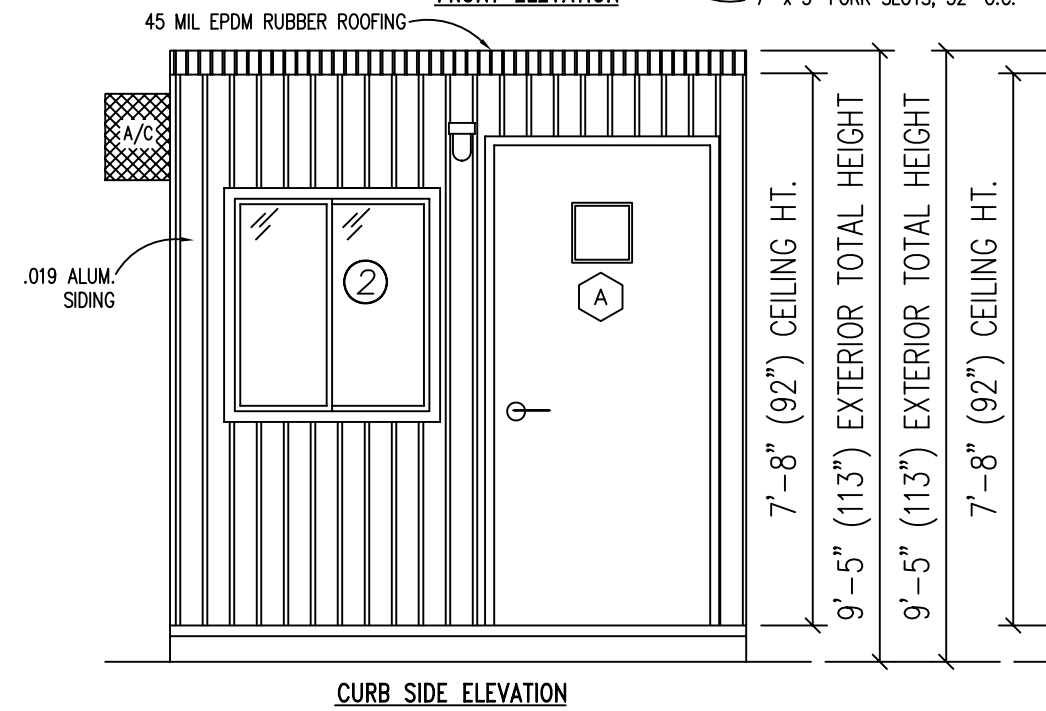
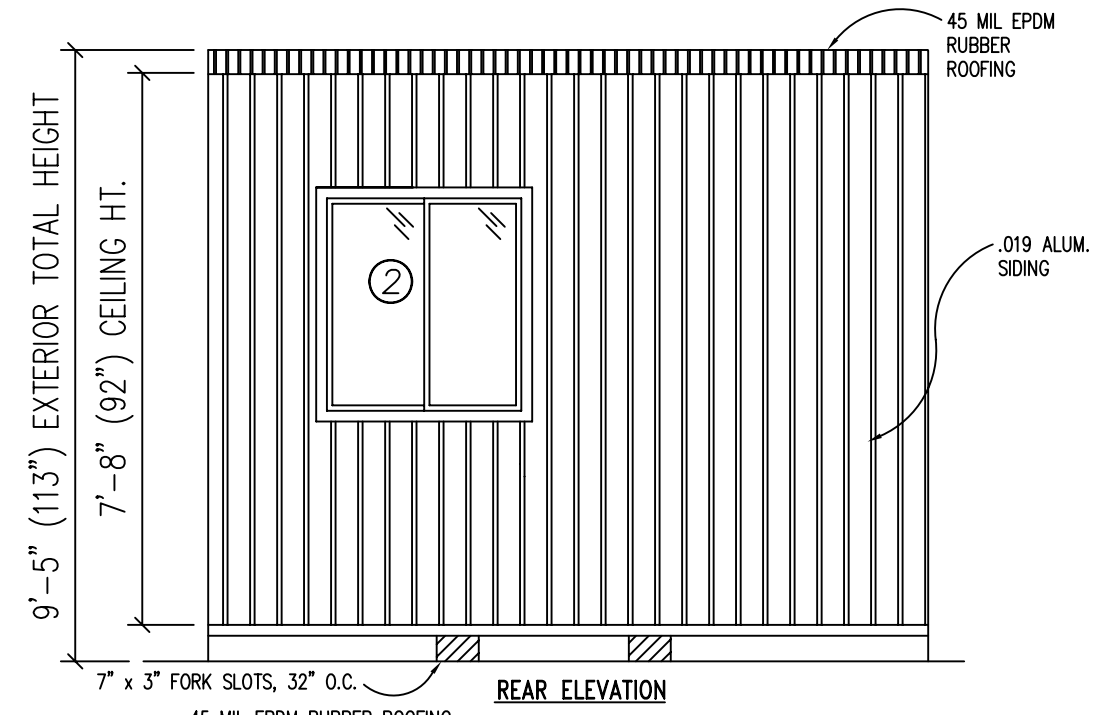
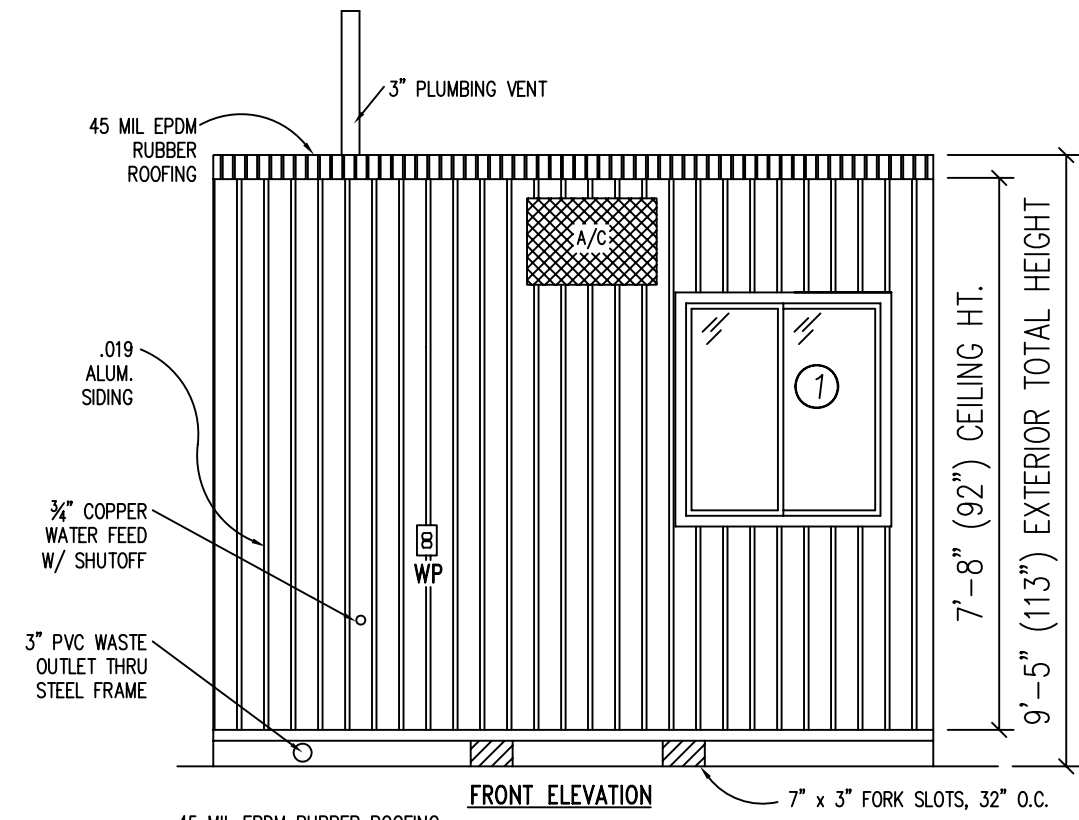


DOOR AND WINDOW SCHEDULE

- Ⓐ 36"x80" ALUM. DOOR, ALUM. FRAME, FOAM INSULATED W/ 14"x14" S.G., LEVER PASSAGE HARDWARE
- ① (5) 36"x39" HORIZONTAL SLIDER, ALUM. MILL FRAME, SINGLE GLAZE
- ② (1) 36"x39" CLEAR TEMPERED GLASS - HORIZONTAL SLIDER, ALUM. MILL FRAME

TITLE:	ELEVATIONS	DRAWN BY:	R.M.	DATE:	3/17/09	JOB NO.:	2007-373
MODEL:	810 O/A GUARD BOOTH	REV.:		SCALE:	1/4"=1'-0"	DRAWING NO.:	2

TWIN MODULAR SERVICES, INC.
 1001 LOWER LANDING RD, SUITE 607, BLACKWOOD, NJ 08012



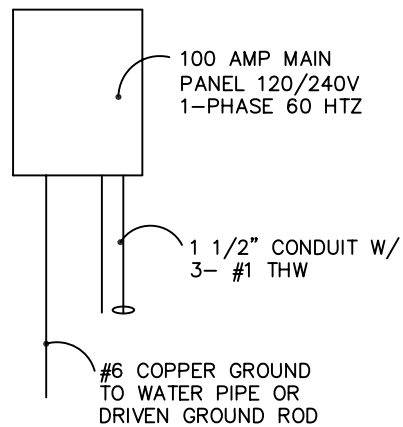
DOOR AND WINDOW SCHEDULE

- Ⓐ 36"x80" ALUM. DOOR, ALUM. FRAME, FOAM INSULATED W/ 14"x14" S.G., LEVER PASSAGE HARDWARE
- ① (5) 36"x39" HORIZONTAL SLIDER, ALUM. MILL FRAME, SINGLE GLAZE
- ② (1) 36"x39" CLEAR TEMPERED GLASS - HORIZONTAL SLIDER, ALUM. MILL FRAME

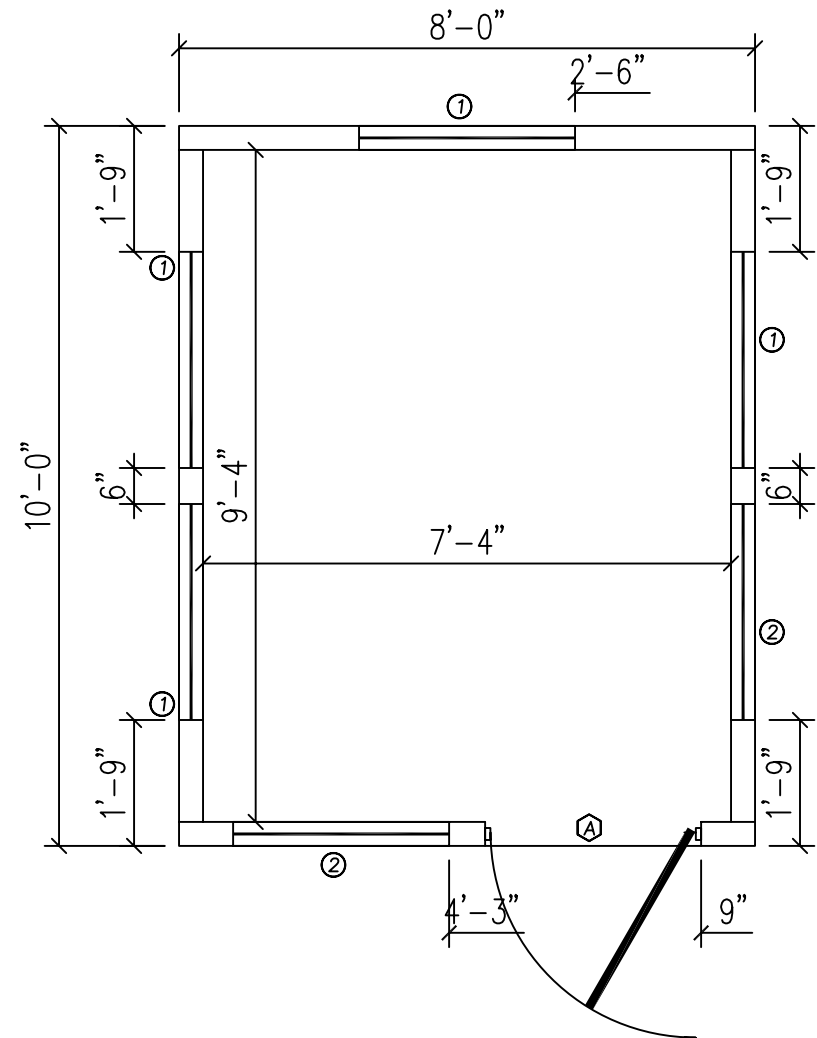
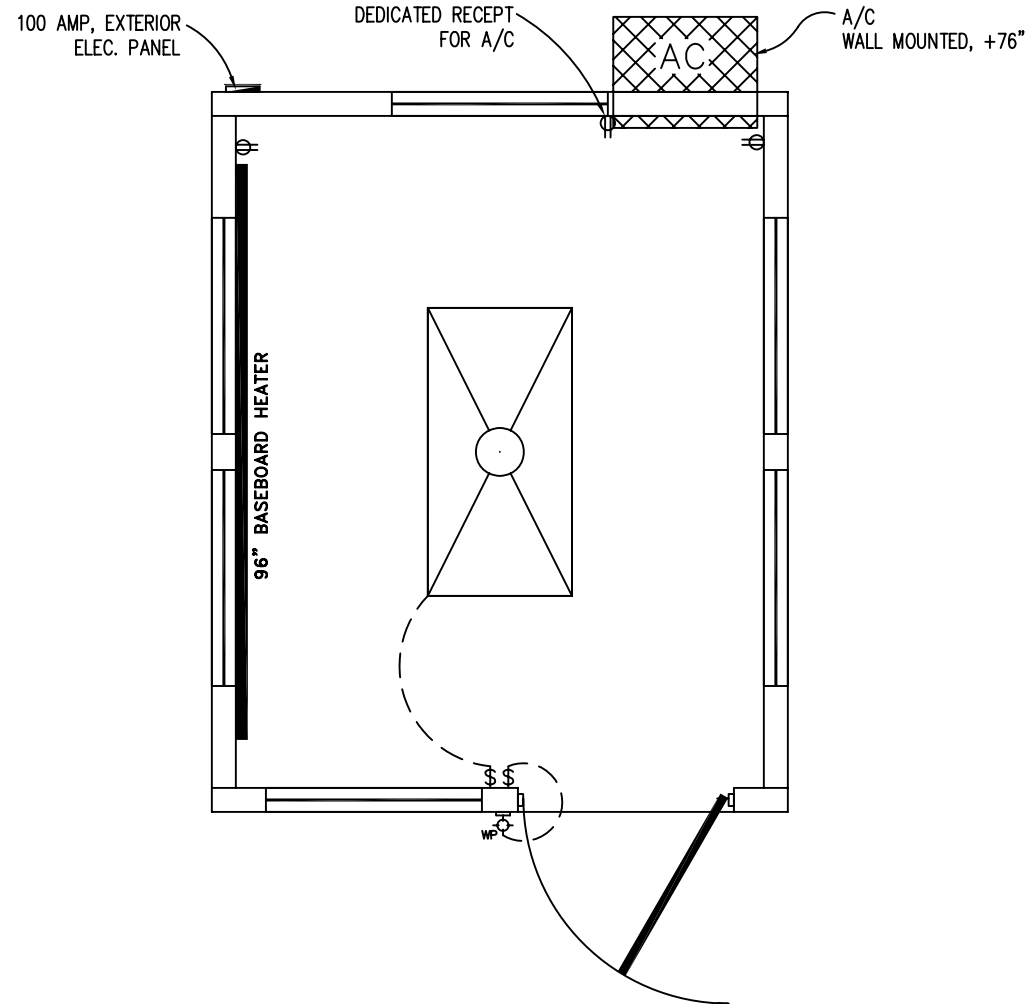
TITLE: ELEVATIONS	DRAWN BY: R.M.	DATE: 3/17/09	JOB NO: 2007-373
MODEL: 810 O/A GUARD BOOTH	REV:	SCALE: 1/4"=1'-0"	DRAWING NO: 2

TWIN MODULAR SERVICES, INC.

1001 LOWER LANDING RD, SUITE 607, BLACKWOOD, NJ 08012



**100 AMP ELECTRICAL
RISER DIAGRAM
N.T.S.**



ELECTRICAL

1. ALL RECEPTACLES TO BE GROUNDING TYPE.
2. ALL WIRING TO BE PER THE EDITION OF THE NEC LISTED ON THE COVER PAGE, TYPE NM ROMEX (CU) W/ GROUND.
3. MAIN PANEL TO BE MARKED "SUITABLE FOR USE AS SERVICE EQUIPMENT", AND BE EQUIPPED W/ BREAKER/FUSE TYPE OVERCURRENT PROTECTION.
4. PROPER THERMAL OVERLOAD PROTECTION TO BE PROVIDED FOR ALL MOTORS.
5. DISCONNECTING MEANS WITHIN SIGHT REQUIRED FOR ALL MOTORS.
6. WEATHERPROOF PROTECTION REQUIRED FOR ALL OUTDOOR LIGHTS, RECEPTACLES AND DISCONNECTS.
7. PROPER WORKING CLEARANCES TO BE PROVIDED AND MAINTAINED ABOUT ALL ELECTRICAL EQUIPMENT.
8. ALL FLOURESCENT FIXTURES REQUIRE THERMAL PROTECTION AND PROPER CLEARANCES FROM INSULATION, ALSO APPLICABLE FOR INCANDESCENT FIXTURES.
9. COMBINATION EXHAUST FAN/LIGHT AND ALL RECESSED INCANDESCENT FIXTURES TO BE WITH THERMAL PROTECTION.
10. EXIT LIGHTS (IF ELECTRIC) MUST BE FED FROM AN APPROVED EMERGENCY SERVICE CONNECTED AHEAD OF, BUT NOT WITHIN MAIN SERVICE DISCONNECTION MEANS ENCLOSURE, AND INSTALLED AS PER SERVICE REQUIREMENTS, OR BE BATTERY BACKUP TYPE UNITS.
11. SERVICE CONDUCTORS, LOCATED WITHIN THE PERIMETER OF THE BUILDING, SHALL BE INSTALLED IN ACCORDANCE WITH ARTICLE 230-6, PER THE EDITION OF THE NEC LISTED ON THE COVER PAGE.
12. MAXIMUM 15 (2) TUBE FLOURESCENT LIGHTS ON 15A CIRCUIT, MAXIMUM 10 RECEPTS ON 15A CIRCUIT, MAXIMUM 7 (4) TUBE FLOURESCENT LIGHTS ON 15A CIRCUIT.
13. MAXIMUM 20 (2) TUBE FLOURESCENT LIGHTS ON 20A CIRCUIT, MAXIMUM 13 RECEPTS ON 20A CIRCUIT, MAXIMUM 10 (4) TUBE FLOURESCENT LIGHTS ON 20A CIRCUIT.

ELECTRICAL LEGEND

- 2'x4' (4) TUBE DROP-IN FLOURESCENT LIGHT
- 100A 120/240V MAIN PANEL, SURFACE MOUNTED EXTERIOR
- 15A 110V SINGLE POLE TOGGLE SWITCH +48"
- 15A 120V DUPLEX RECEPTACLE (RECEPTS AT +34" UNLESS NOTED)
- 150 WATT QUARTZ HALOGEN SECURITY LIGHT, WEATHERPROOF
- 96" ELECTRIC BASEBOARD HEATER

**AMPACITIES OF INSULATED CONDUCTORS
90°C WIRE COPPER**

AWG	MAXIMUM AMPACITY
14	15 AMP
12	20 AMP
10	30 AMP
8	50 AMP
6	65 AMP
4	85 AMP
3	100 AMP
2	115 AMP
1	130 AMP

DOOR AND WINDOW SCHEDULE

- (A) 36"x80" ALUM. DOOR, ALUM. FRAME, FOAM INSULATED W/ 14"x14" S.G., LEVER PASSAGE HARDWARE
- (1) (5) 36"x39" HORIZONTAL SLIDER, ALUM. MILL FRAME, SINGLE GLAZE
- (2) (1) 36"x39" CLEAR TEMPERED GLASS - HORIZONTAL SLIDER, ALUM. MILL FRAME

TITLE: FLOOR / ELECTRICAL PLAN
MODEL: 810 O/A GUARD BOOTH

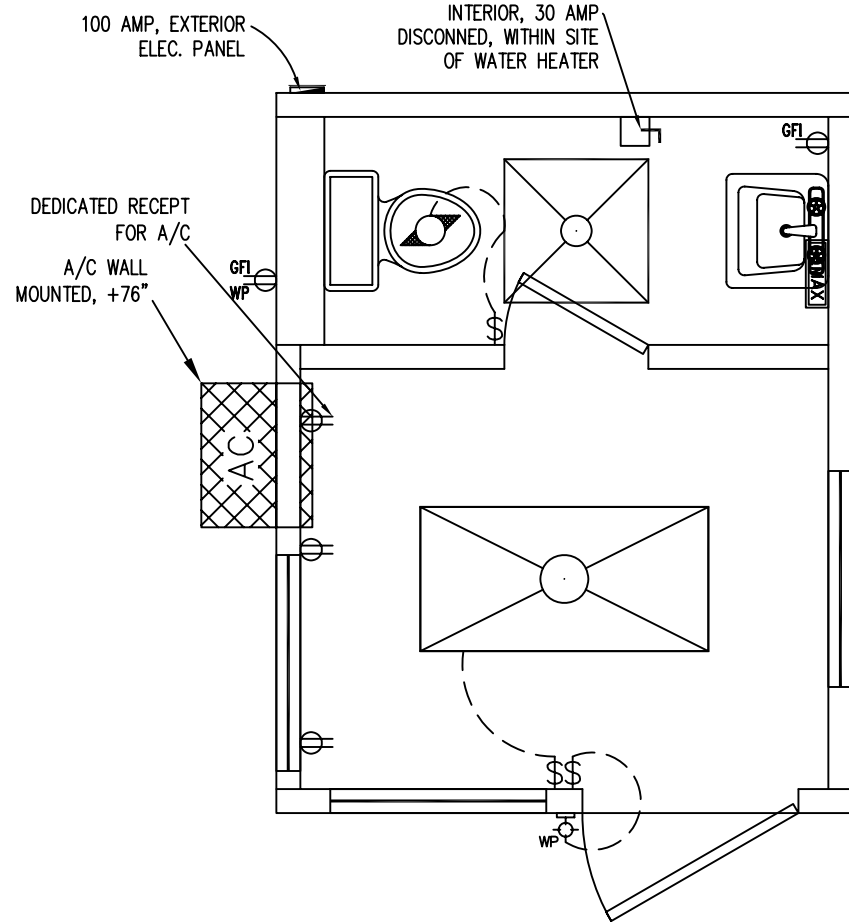
DRAWN BY: R.M.
REV:

TWIN MODULAR SERVICES, INC.

1001 LOWER LANDING RD, SUITE 607, BLACKWOOD, NJ 08012 SCALE: 1/4"=1'-0"

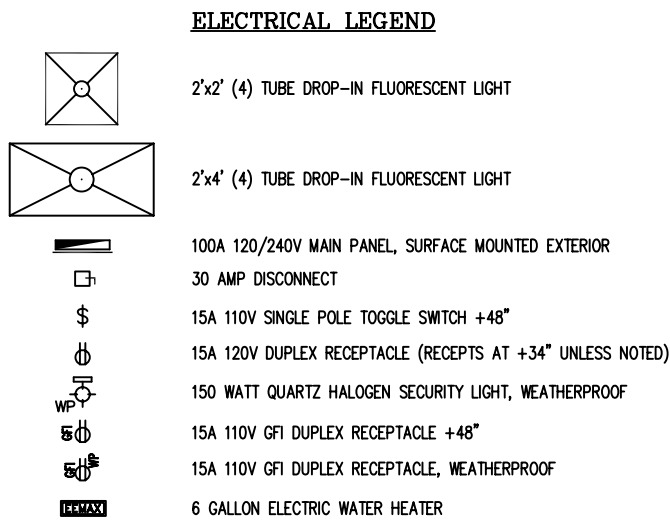
DATE: 3/17/09
JOB NO: 2007-373

DRAWING NO: 3



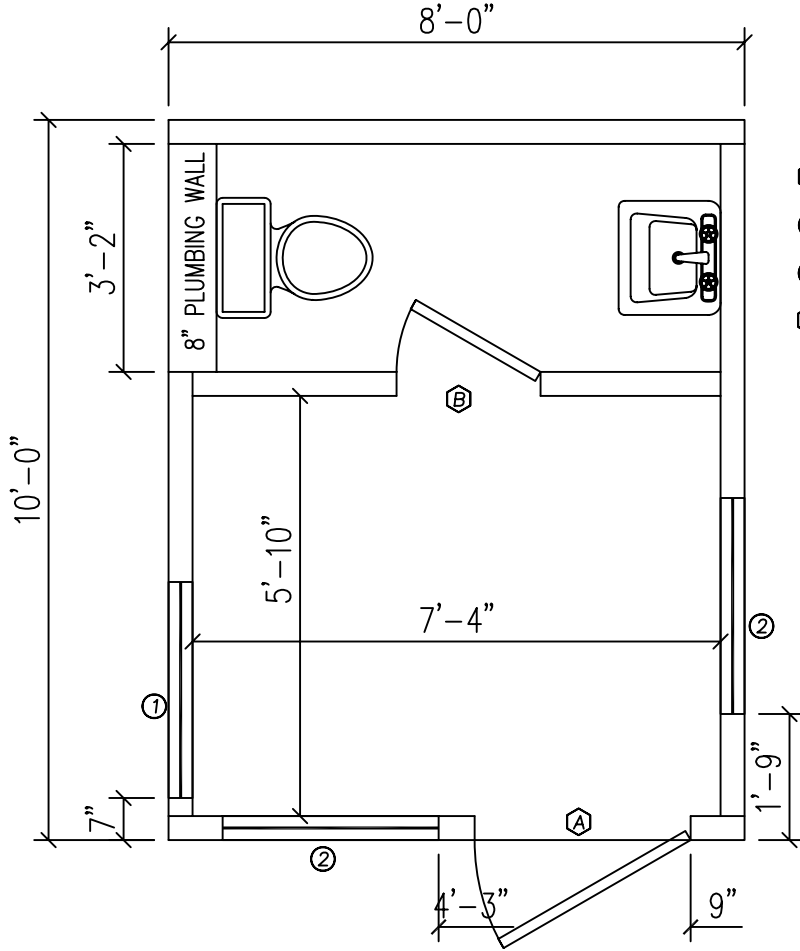
ELECTRICAL

- ALL RECEPTACLES TO BE GROUNDING TYPE.
- ALL WIRING TO BE PER THE EDITION OF THE NEC LISTED ON THE COVER PAGE, TYPE NM ROMEX (CU) W/ GROUND.
- MAIN PANEL TO BE MARKED "SUITABLE FOR USE AS SERVICE EQUIPMENT", AND BE EQUIPPED W/ BREAKER/FUSE TYPE OVERCURRENT PROTECTION.
- PROPER THERMAL OVERLOAD PROTECTION TO BE PROVIDED FOR ALL MOTORS.
- DISCONNECTING MEANS WITHIN SIGHT REQUIRED FOR ALL MOTORS.
- WEATHERPROOF PROTECTION REQUIRED FOR ALL OUTDOOR LIGHTS, RECEPTACLES AND DISCONNECTS.
- PROPER WORKING CLEARANCES TO BE PROVIDED AND MAINTAINED ABOUT ALL ELECTRICAL EQUIPMENT.
- ALL FLOURESCENT FIXTURES REQUIRE THERMAL PROTECTION AND PROPER CLEARANCES FROM INSULATION, ALSO APPLICABLE FOR INCANDESCENT FIXTURES.
- COMBINATION EXHAUST FAN/LIGHT AND ALL RECESSED INCANDESCENT FIXTURES TO BE WITH THERMAL PROTECTION.
- EXIT LIGHTS (IF ELECTRIC) MUST BE FED FROM AN APPROVED EMERGENCY SERVICE CONNECTED AHEAD OF, BUT NOT WITHIN MAIN SERVICE DISCONNECTION MEANS ENCLOSURE, AND INSTALLED AS PER SERVICE REQUIREMENTS, OR BE BATTERY BACKUP TYPE UNITS.
- SERVICE CONDUCTORS, LOCATED WITHIN THE PERIMETER OF THE BUILDING, SHALL BE INSTALLED IN ACCORDANCE WITH ARTICLE 230-6, PER THE EDITION OF THE NEC LISTED ON THE COVER PAGE.
- MAXIMUM 15 (2) TUBE FLOURESCENT LIGHTS ON 15A CIRCUIT, MAXIMUM 10 RECEPTS ON 15A CIRCUIT, MAXIMUM 7 (4) TUBE FLOURESCENT LIGHTS ON 15A CIRCUIT.
- MAXIMUM 20 (2) TUBE FLOURESCENT LIGHTS ON 20A CIRCUIT, MAXIMUM 13 RECEPTS ON 20A CIRCUIT, MAXIMUM 10 (4) TUBE FLOURESCENT LIGHTS ON 20A CIRCUIT.



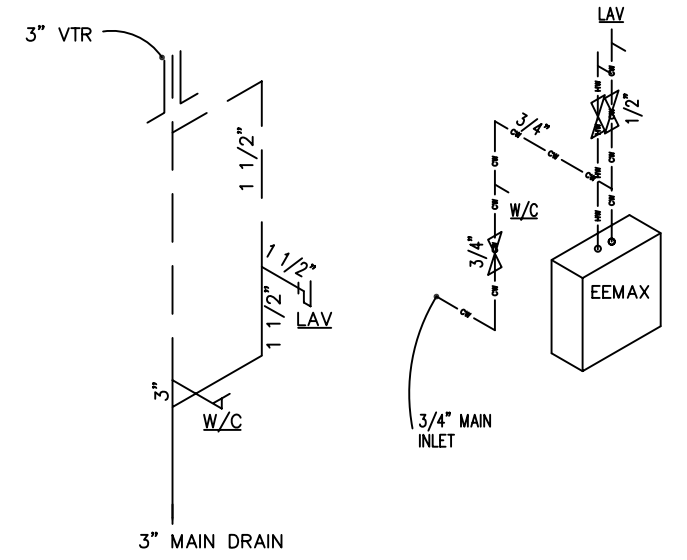
AMPACITIES OF INSULATED CONDUCTORS 90°C WIRE COPPER

AWG	MAXIMUM AMPACITY
14	15 AMP
12	20 AMP
10	30 AMP
8	50 AMP
6	65 AMP
4	85 AMP
3	100 AMP
2	115 AMP
1	130 AMP



DOOR AND WINDOW SCHEDULE

- (A) 36"x80" ALUM. DOOR, ALUM. FRAME, FOAM INSULATED W/ 14"x14" S.G., LEVER PASSAGE HARDWARE
- (1) (5) 36"x39" HORIZONTAL SLIDER, ALUM. MILL FRAME, SINGLE GLAZE
- (2) (1) 36"x39" CLEAR TEMPERED GLASS - HORIZONTAL SLIDER, ALUM. MILL FRAME
- (B) 24"x80" HOLLOW CORE WOOD DOOR, STD. LEVER PRIVACY HARDWARE

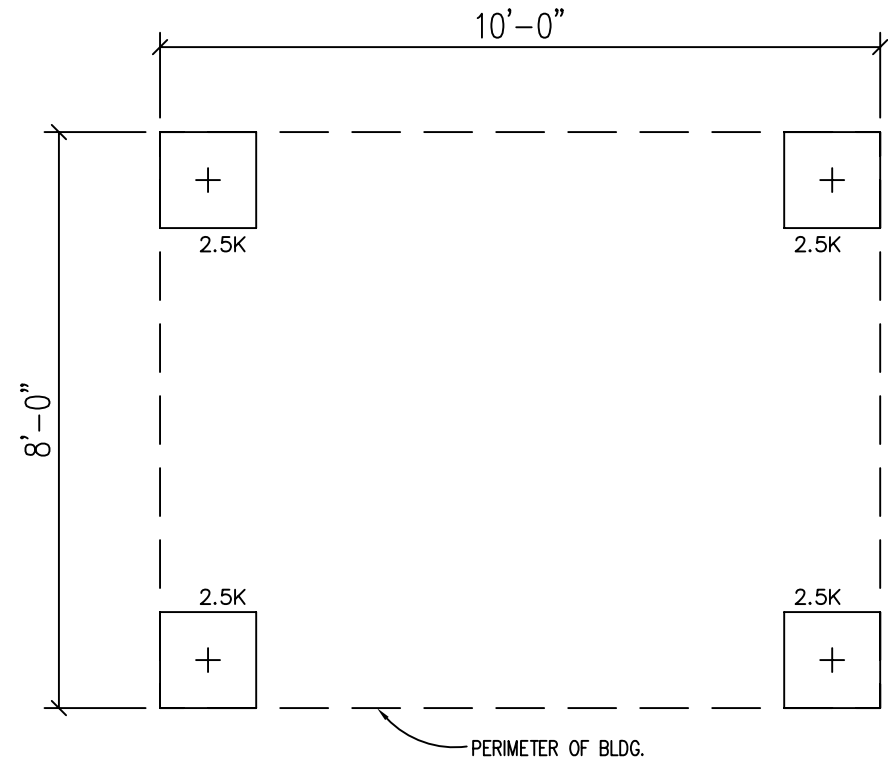
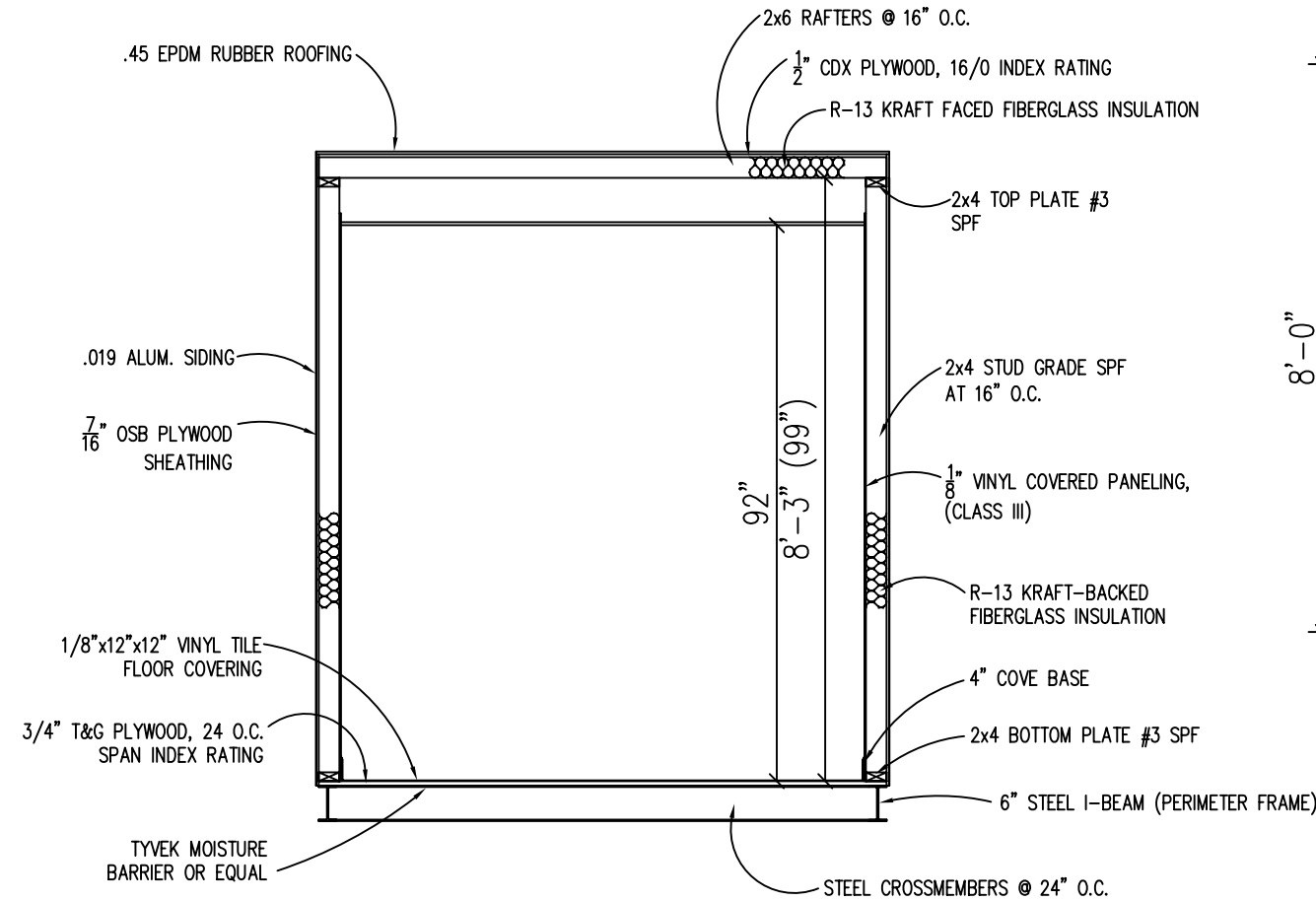


DWV

- DWV MATERIAL TO BE: SCHEDULE 40 PVC
- ALL PIPES TO BE SECURED AT 4' O.C.
- ALL CLEAN OUTS SHALL BE ACCESSIBLE. CLEAN OUTS TO BE PROVIDED AT THE BASE OF ALL WASTE AND SOIL STACKS, AND PLACED SO THAT ALL HORIZONTAL PIPING CAN BE REACHED W/ A CLEANOUT TOOL W/O PASSING THROUGH MORE THAN 45° OF TURNS.
- 1/4" PER 1' SLOPE PROVIDED ON ALL HORIZONTAL BRANCHES.
- VENTS SHALL BE 3" Ø, 12" ABOVE AND BELOW ROOF AND SHALL NOT BE LOCATED WITHIN 10' OF OTHER VENT OPENINGS.
- ALL VERTICAL TO HORIZONTAL OR HORIZONTAL TO HORIZONTAL CHANGES OF DIRECTION SHALL BE THROUGH A LONG TURN TEE-WYE OR COMBINATION WYE AND 1/8 BEND.
- ALL HORIZONTAL TO VERTICAL CHANGES OF DIRECTION SHALL BE THROUGH A SANITARY TEE, OR IF AT THE SAME LEVEL ON VERTICAL STACK, THROUGH AN APPROVED DOUBLE FIXTURE FITTING.

WATER SUPPLY

- WATER SUPPLY LINES TO BE: TYPE "L" COPPER
- COPPER OR GALVANIZED WATER PIPING TO BE SUPPORTED AT 4' O.C., POLYBUTYLENE AT 3' O.C.
- WATER TEMPERATURE FACTORY SET AT 120°F, CONTROLS LOCATED BEHIND COVER PANEL.
- A SHUT OFF VALVE SHALL BE REQUIRED FOR EACH FIXTURE.
- WATER HAMMER ARRESTORS PROVIDED, OR IF AIR CHAMBERS, TO BE MIN. 15" LONG AND NOT LESS THAN THE DIAMETER OF PIPE SERVED.
- WATER HEATER EQUIPPED WITH DRAIN COCK.
- DIELECTRIC UNIONS TO BE USED AT CONNECTIONS OF WATER LINES TO WATER HEATER.
- COLD WATER INLET TO BE PROVIDED WITH A SHUT-OFF VALVE ABOVE FLOOR AT THE WATER HEATER.
- T&P VALVE, 210°F, 125PSI, WITH A 3/4" DISCHARGE PIPE TO THE EXTERIOR VIA A 4" AIR GAP.
- FULL-SIZED SHUT OFF VALVE TO BE PROVIDED BETWEEN THE BUILDING AND WATER MAIN (METER).
- 1/2" WATER SUPPLY SHALL SUPPLY ONLY ONE FIXTURE.



BUILDING CODE

1. ATTIC VENTILATION SHALL NOT BE LESS THAN 1/150th OF THE HORIZONTAL AREA TO BE VENTILATED.
2. THE BUILDING EXTERIOR AND ALL FACILITIES WITHIN THE BUILDING SHALL BE IDENTIFIED WITH THE INTERNATIONAL SYMBOL OF ACCESSIBILITY.
3. OWNER/BUYER SHALL BE RESPONSIBLE FOR ON SITE BARRIER FREE PROVISIONS: STEPS, RAMPS, PARKING SIGNS, ETC. - BUILDING APPROACH (WALK OR RAMP) WITH A MINIMUM WIDTH OF 5' AND A GRADIENT OF NOT MORE THAN 1 FOOT IN 20 FEET.
4. ALL LOCKS TO BE UNLOCKABLE FROM THE INTERIOR WITHOUT THE USE OF A KEY OR SPECIAL KNOWLEDGE.
5. CORROSION RESISTANT FLASHING AT TOP AND SIDES OF DOORS, WINDOWS AND AT ROOF PENETRATIONS.
6. ALL GLAZING WITHIN 24" OF EXTERIOR PASSAGE DOORS AND IN PASSAGE DOORS, OR WITHIN 18" OF FLOOR TO BE "SAFETY GLAZED" AND SO MARKED.

FOUNDATION

1. THE PIER LOCATIONS SHOWN ON THIS PLAN ARE FOR THE PURPOSE OF IDENTIFYING THE LOCATION OF THE REQUIRED BLOCKING POINTS AND THE LOADS APPLIED AT EACH POINT FOR THIS BUILDING. FOUNDATION REQUIREMENTS ARE NOT KNOWN DUE TO VARYING SOIL CONDITIONS.
2. FOUNDATION DESIGN IS BY OTHERS. FOUNDATION REVIEW AND APPROVAL IS TO BE PERFORMED BY THE LOCAL OFFICIAL HAVING JURISDICTION.
3. CRAWL SPACE TO BE VENTILATED AT 1 SQ. FT. PER EACH 150 SQ. FT. OF CRAWL SPACE AREA TO BE VENTILATED.
4. PROVIDE POSITIVE DRAINAGE UNDER UNIT.
5. PROVIDE MINIMUM CRAWL SPACE ACCESS OF 22" x 24".
6. MINIMUM FOOTING DEPTH OF BELOW FROSTLINE AND PER LOCAL CONDITIONS.
7. PIER LOADS ARE SHOWN IN KIPS
8. 90 MPH WIND SPEED, EXPOSURE C
9. UNIT MAY BE SHIMMED AS NECESSARY WITH HARDWOOD SHIMS BETWEEN TOP OF PIER AND MODULAR UNIT FRAME
10. MINIMUM CONCRETE STRENGTH SHALL BE 3,000 PSI AT 28 DAYS

DESIGN LOADS

FLOOR LIVE LOAD	= 50 PSF
FLOOR DEAD LOAD	= 10 PSF
ROOF LIVE LOAD	= 40 PSF
ROOF DEAD LOAD	= 10 PSF
EXTERIOR WALL DEAD LOAD	= 42 PLF

FOUNDATION LEGEND

+ INDICATES BLOCKING TO BOTTOM OF MAIN I-BEAM

TITLE: CROSS SECTION
MODEL: 810 O/A GUARD BOOTH

DRAWN BY: R.M.
REV:

TWIN MODULAR SERVICES, INC.
1001 LOWER LANDING RD, SUITE 607, BLACKWOOD, NJ 08012

DATE: 3/17/09
SCALE: 1/4"=1'-0"

JOB NO: 2007-373
DRAWING NO: 4